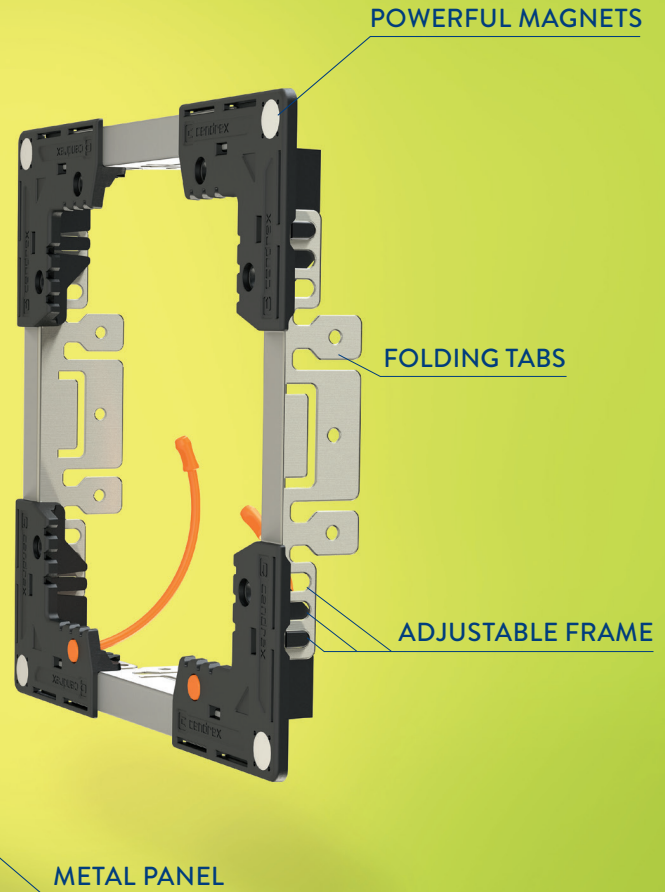


FLEXI SNAP

ACCESSIBILITY
REINVENTED.

QUICK ACCESS TO WIRES AND PIPES

MAGNETIC ACCESS DOOR

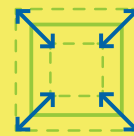


* Trademark of Les industries Cendrex inc.

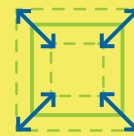
ALSO FIT STANDARD OPENINGS OF

8" x 8" • 12" x 12" • 14" x 14"
Each size can be adjusted by 1.5"

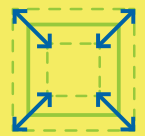
3 ADJUSTABLE FORMATS



OPENING OF
6.5" to 8"
16.5 CM TO 20.3 CM

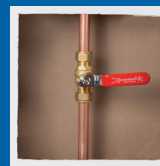


OPENING OF
10.5" to 12"
26.7 CM TO 30.5 CM

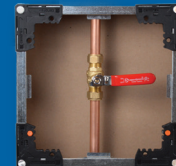


OPENING OF
14" to 15.5"
35.6 CM TO 39.4 CM

WATCH THE
INSTALLATION
VIDEO!



Opening



Frame



Installed panel



Easy 2 minute installation!

1-800-479-1489 | info@flexisnap.com

flexisnap.com

COST-SAVING INSTALLATION SCENARIOS

FLEXISNAP®

STANDARD



Cost
(without studs)

Cost
(with studs)

20 doors x 2 min.
= 40 min. x \$75/h = **\$50**

20 doors x 25 min.
= 500 min. x \$75/h = **\$625**

2 MINUTE INSTALLATION (for drywall)

1. Cut the opening with the provided template. 

2. Adjust and insert the frame into the opening. 

3. Fold the tabs on all sides, behind the drywall. 

4. Close the opening using the magnetic access panel. 

25 MINUTE INSTALLATION (for drywall)

1. Measure and cut the opening. 

2. Prepare the studs for installation. 

3. Install and fasten the studs to the opening. 

4. Fasten the access door to the studs, installed in the opening. 